

# Clear Water Solenoid Valve - Thread CWS 8



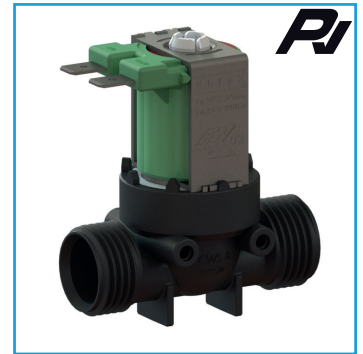
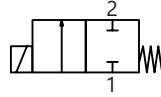
This Solenoid valves serie is High Quality. This NC valve, single type is a direct acting electromagnetic valve. Unique industrial shape with the "low water hammer construction" makes this valve unique for all kinds of water installations. Used materials and checks ensure maximal reliability and lifetime.

Quick mounting on tubing and mounting with DIN-rail clips are very unique.

Economical, faster installation and therefore cheaper. Design your own valve, send your inquiry.

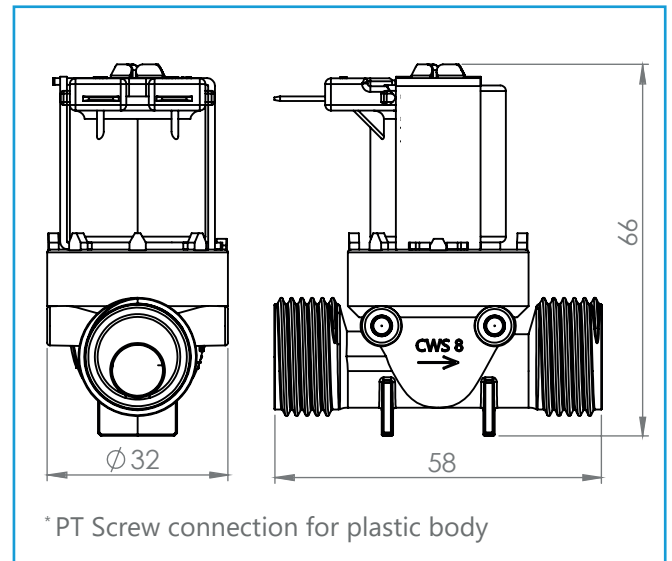


Anti water hammering  
cert. EN 60730-2-8  
Par. 18.101.3.3



## Specifications

<b>Operating Range</b>	0,2 ~ 10 bar	
<b>Temp. medium   ambient</b>	90°C 3/5min	60° C max.
	25°C 100%	
<b>Coil (faston) CE</b>	12Vdc   7W	
<b>Class H IP00</b>	24Vdc   8W	
	24Vac   3,2W	
	230Vac   6VA	
<b>Function</b>	Normally closed (NC)	
<b>Orifice / Flow</b>	9 mm	
<b>Media</b>	Clear water	



Code (without coil)	Connection	Body ISO 1043	Seal	Model no.	Max. Torque*
821.14F.06	G1/4" BSP Female	PA66-GF30	EPDM (Food)	14F	1.5Nm/13.0Nm
821.12M.06	G1/2" BSP Male	PA66-GF30	EPDM (Food)	12M	3.0Nm/29.0Nm
821.12F.06	G1/2" BSP Female	PA66-GF30	EPDM (Food)	12F	3.0Nm/29.0Nm

\* Use only BSP.P thread with flat seal

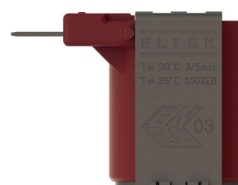
## Technical data



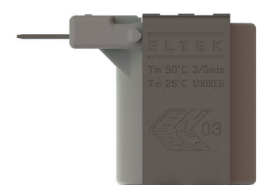
12Vdc | 7W



24Vdc | 8W



24Vac | 3.2W



230Vac | 6VA

### Fast mounting system:



Unique DIN rail mounting bracket

Only use PT Screw for plastic  
size: 3.5 x 8 mm

### Certification materials:

RoHS and EC 1907/2006 (REACH)  
ACS DGSNS 4 n° 2000-232  
NSF STD-61  
WRAS BS6920-1

UL listed product  
DVGWW270  
KTW guidelines



In compliance

# Clear Water Solenoid Valve - Push-in

CWS 8



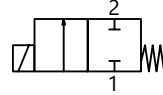
This Solenoid valves serie is High Quality. This NC valve, single type is a direct acting electromagnetic valve. Unique industrial shape with the "low water hammer construction" makes this valve unique for all kinds of water installations. Used materials and checks ensure maximal reliability and lifetime.

Quick mounting on tubing and mounting with DIN-rail clips are very unique.

Economical, faster installation and therefore cheaper. Design your own valve, send your inquiry.



Anti water hammering  
cert. EN 60730-2-8  
Par. 18.101.3.3



## Specifications

**Operating Range** 0,2 ~ 10 bar / 7bar

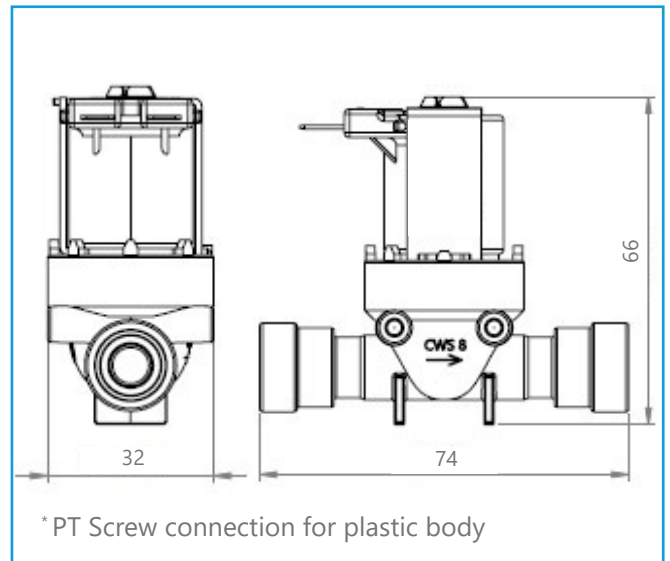
**Temp. medium | ambient** 65° C | 60° C max.

**Coil (faston) CE** 12Vdc | 7W  
Class H IP00 24Vdc | 8W  
24Vac | 3,2W  
230Vac | 6VA

**Function** Normally closed (NC)

**Orifice / Flow** 9 mm

**Media** Clear water



Code [without coil]	Connection	Body ISO 1043	Seal	Model no	Tube
821.006.06	Push-in 6mm	PA66-GF30	EPDM (Food)	006	PE / PU +0.1 / -0,05
821.014.06	Push-in 6.1mm~1/4 inch	PA66-GF30	EPDM (Food)	014	
821.008.06	Push-in 8mm~5/16 inch	PA66-GF30	EPDM (Food)	008	
821.010.06	Push-in 10mm	PA66-GF30	EPDM (Food)	010	

## Technical data coils



12Vdc | 7W



24Vdc | 8W



24Vac | 3.2W



230Vac | 6VA

### Fast mounting system:



Unique DIN rail mounting bracket

Only use PT Screw for plastic\*  
Size: 3.5 x 8mm

### Certification materials:

RoHS and EC 1907/2006 (REACH)  
ACS DGSNS 4 n° 2000-232  
NSF STD-61  
WRAS BS6920-1

UL listed product  
DVGWW270  
KTW guidelines



In compliance